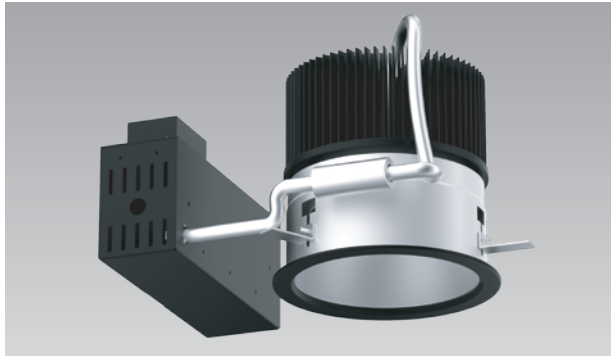


REV 8 Prime - Retrofit



8-inch aperture high lumen recessed downlight with lumen output 18972 - 24867lm for new and retrofit applications. Additional feature includes ColorFlip™ tunable white.

- ColorFlip™ (Please refer to Tunable White Version spec sheet)

Utilize latest flip chip technology for optimum efficacy, delivering consistent high lumen output with 105LPW at CRI85+ when color tuning from 2700K to 6500K. Compatible to all 0-10V and DMX dimming controls.

Quantity		Type	
Project		Note	

Electrical System

- 21204 lm (185W)
- 24867 lm (225W)
- Power Input: 120V or 277V
- Operating Temperature: -40°F~112°F
- Surge Protection: 4KV

LED Technology

- 2700K, 3000K, 3500K, 4000K
- 85 CRI
- Beam Angle: 30°, 45°, 55°, 100° (with diffuser)
- Rated Life > 60,000 hours (L70)

Advanced Dimming

(Proprietary VX Driver is incorporated to all dimming options for video flicker-free lighting)

- **DMX** : high resolution dims to 0.1% (Supports ANSI E1.20 RDM protocol)
- **Superior 0-10V** : dims to 1%

185W only

- **TRIAC**: Line-voltage phase control, dims to 1% **(120V only)**
- **3-wire**: LUTRON Hi Lume 3-wire, dims to 1% **(UNV only)**
- **ECOsistem**: LUTRON Hi Lume ECOsystem, dims to 1 % **(UNV only)**

Retrofit

- Non-IC Rated, insulation must be kept > 1ft from housing.
- Aperture: 8.1" (207mm)
- Opening of Mounting Frame: 8.03" (204mm) to 9.0" (228mm) Max
- Oversize Trim: 9.13" (232mm)
- Maximum ceiling thickness: 1.5" (38mm)
- Light engine, optics, and driver(s) accessible from below ceiling
- Weight: 16.13lbs
- Goof Ring 14": Aluminum, standard white finish; O. D. 14"; other size and finish available, please inquire

Warranty

- 5 years limited warranty.

Listing

- ETL Listed
- FCC



REV 8 Prime - Retrofit



How To Specify:

Ordering Example: R8PR-185-278-277-ECO-WD-WHT

4-5 weeks lead time on over 75% of specifications.

Model	Wattage	CCT / CRI	Voltage	Dimming
R8PR				
R8PR REV 8 inch Prime Retrofit	185 185W 225 225W	278 2700K / CRI85 308 3000K / CRI85 358 3500K / CRI85 408 4000K / CRI85	120 120V 277 277V	NOD Non-Dimming SPV Superior 0-10V dims to 1% DMX DMX dims to 0.1% (XLR Sockets) DMX(RJ45) DMX dims to 0.1% (RJ45 Sockets) TRC¹ TRIAC dims to 1% (120V ONLY) ECO¹ LUTRON ECOsystem dims to 1% (UNV ONLY) 3WIR¹ LUTRON 3-wire dims to 1% (UNV ONLY)

¹ Option is ONLY compatible to 185W

Beam Angle	Finish	Accessories
30 30° 45 45° 55 55° WD¹ 100° (with diffuser)	BLK Black WHT White	DF¹ Diffuser SPD² Surge Protector GR12 Goof Ring 9.2" to 12" GR14 Goof Ring 9.2" to 14"

¹ Please factor in change in lumen output with diffuser (-20% with DF).
² Surge protector for up to 10KV. Applicable for unstable mains or facilities using high power machineries.

REV 8 Prime - Retrofit



Delivered Lumens*

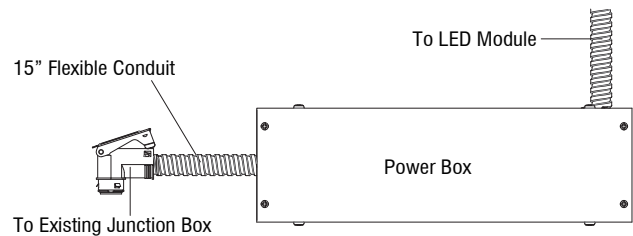
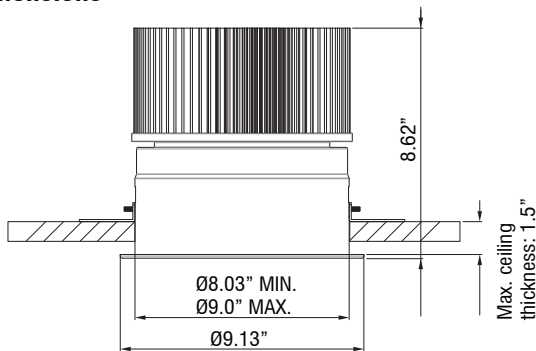
Wattage	185W	225W
CCT	Beam Angle: 30°	
4000K	21204 lm	24867 lm
3500K	20646 lm	24212 lm
3000K	20088 lm	23558 lm
2700K	18972 lm	22249 lm

*Tolerance ±8%

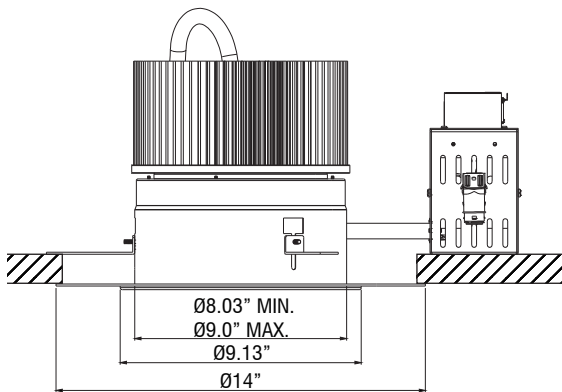
Current Consumption

Wattage	120V	277V
185W	1.65A	0.71A
225W	2.02A	0.87A

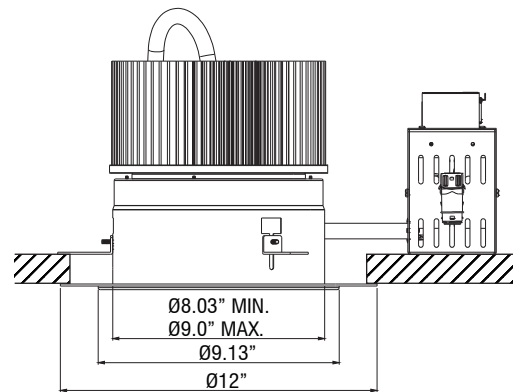
Dimensions



Goof Ring



GR14



GR12

REV 8 Prime - Retrofit



DMX Requirements

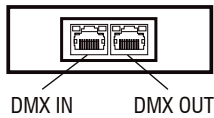
The 8" REV LED fixture with DMX is a **ONE CHANNEL DMX unit**.

When placing order, please indicate DMX address. (The DMX address will be listed on the back of the fixture.)

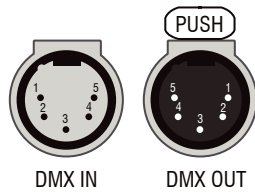
The LED fixture provide RJ45 Socket or XLR socket to connect. (DMX cable NOT included.)

The final fixture should be terminated by the use of DMX Terminator (by others).

RJ45 Sockets



XLR Sockets



CONNECTION	RJ45 (CAT5e)	5-PIN XLR
Common	WHITE/BROWN(PIN7) & BROWN(PIN 8)	PIN 1
Signal -	ORANGE(PIN 2)	PIN 2
Signal +	WHITE/ORANGE(PIN 1)	PIN 3
Spare	-	PIN 4
Spare	-	PIN 5

Compatible TRIAC Dimmer List

LUTRON PART NO

RRD-6NA-	RRT-G5NEW-	RRT-GH	HQRD-10ND-	HQRT-GH	HQRD-HN	PD-10NXD-
RRD-6ND	RRT-G25LW-	HQRD-6NA-	MRF2-6ND-120-	HQRT-G25LW-	GT-250M-	PD-5NE-
RRD-10ND-	RRD-HN	HQRD-6ND-	MRF2S-6ND-120-	HQRT-G5NEW-	GTJ-250M-	